

DECK MOUNT MANUAL SOAP DISPENSER SPECIFICATIONS



1. Split soap bottle

2. Insert the straw into the slot

3. Fixed straw



4. Tighten the bottle

5. Pour in cleaning solution

6. Insert the straw and tighten

Product shown is only for installation display purpose

Specs

Refill from the top, Large Capacity bottle: 500 ml (17oz)

Simple Installation and requires only one hole

Can be repeatedly used to add equipment soap hand sanitizer, shampoo, shower gel, etc. And perfect for any at home cleaning, cooking, or DIY uses.

Top-quality brass construction for long-lasting functionality

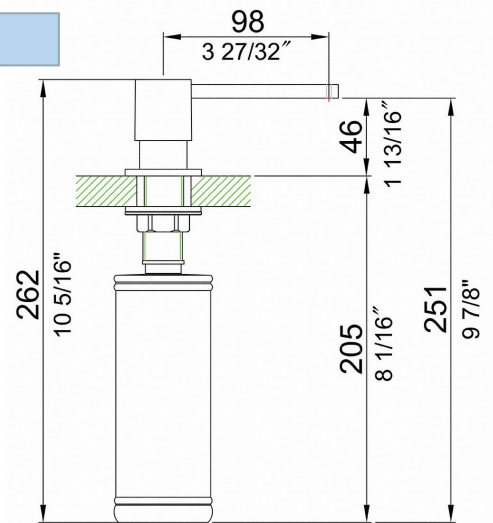
Self-priming pump for hassle-free use

Large-capacity bottle holds up to 17 oz. of liquid, requiring fewer refills

Easy to install threaded connection offers a tight, waterproof seal

Easy to refill: Top lifts up for easy refill

Size

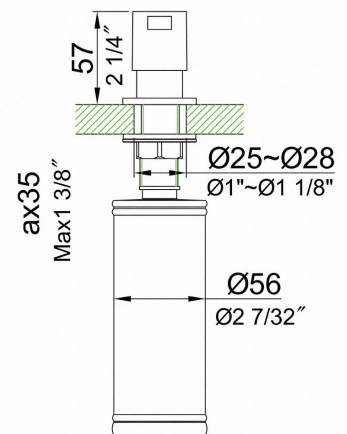


FEATURES

ABOVE THE COUNTER RE-FILL -- The soap dispenser for kitchen sink replacement with pull-out removable pump head makes refilling this sink soap dispenser a breeze. No more crawling under the sink.

EASY TO PUMP -- This soap dispenser has a long nozzle that reaches over the sink, the pump head swivels 360 degrees. You can pump it and output a suitable amount of soap easily. There is no leak, clog or jam when pressing for soap.

LARGER VOLUME -- The soap dispenser for kitchen sink has large capacity (17 oz) bottle. Dish soap can be pumped into the sink. Manufactured with quality materials and can work as a soap dispenser or as a lotion dispenser.



All dimensions and specifications are nominal and may vary. Use actual products for accuracy in critical situations.